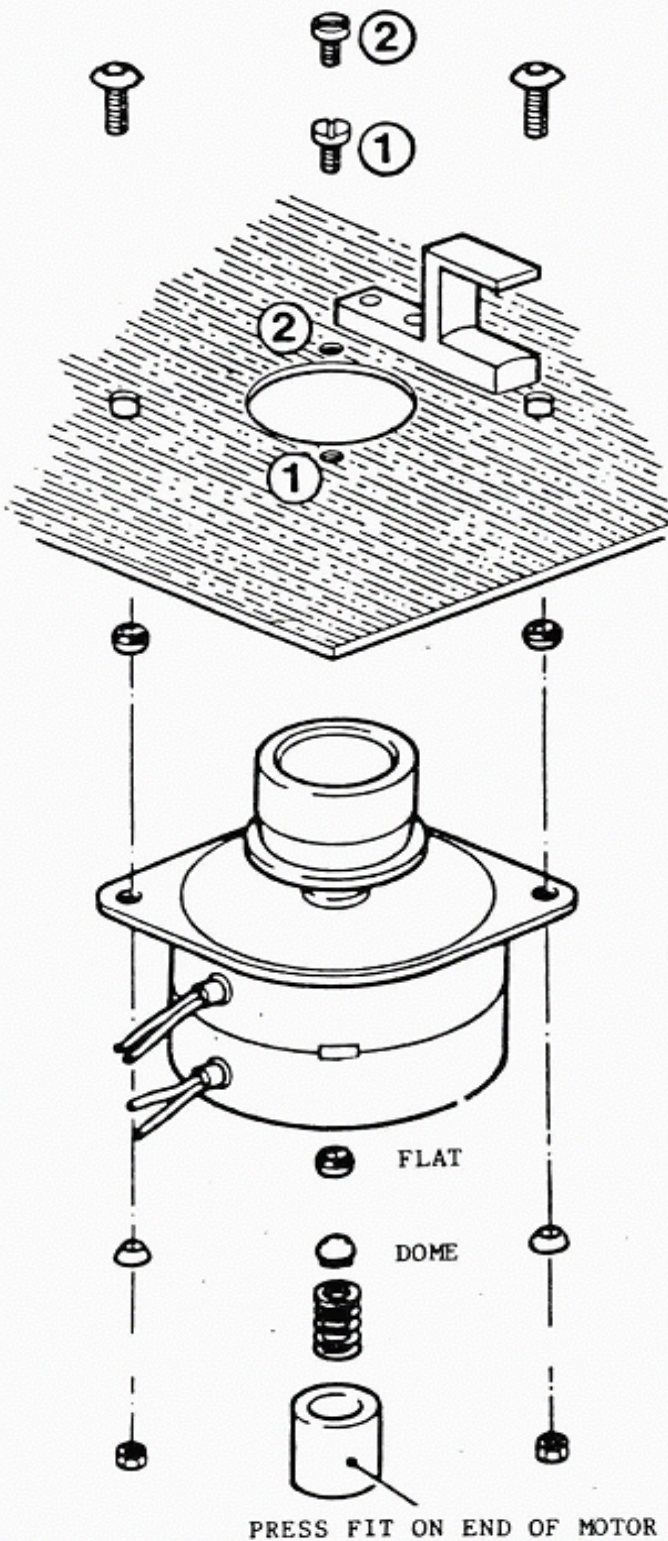


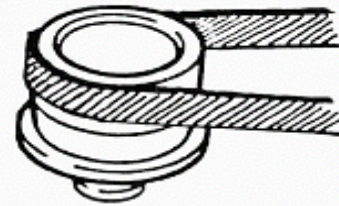
SECTION THROUGH A-A

TURNTABLE LAYOUT

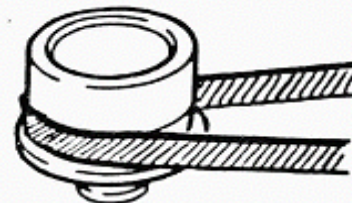
MOTOR MOUNTING DIAGRAM



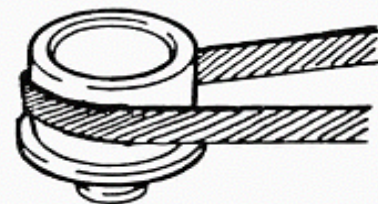
BELT HEIGHT ADJUSTMENT



BELT HIGH -
Loosen Screw #2, Tighten Screw #1



BELT LOW -
loosen Screw #1, Tighten Screw #2



BELT POSITION CORRECT -
Check that both adjustment
screws are just snug
against motor.

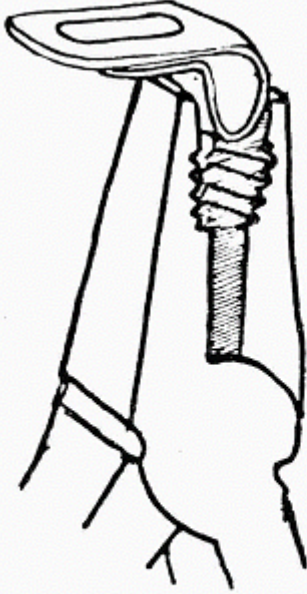
PLACING A 90 DEGREE TWIST IN THE TONEARM CABLE



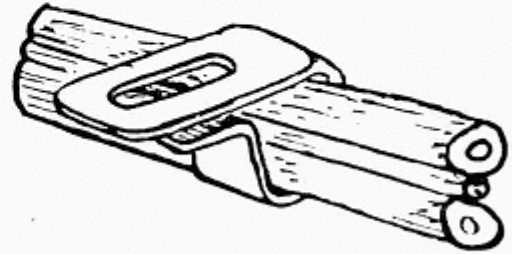
CABLE AS SUPPLIED



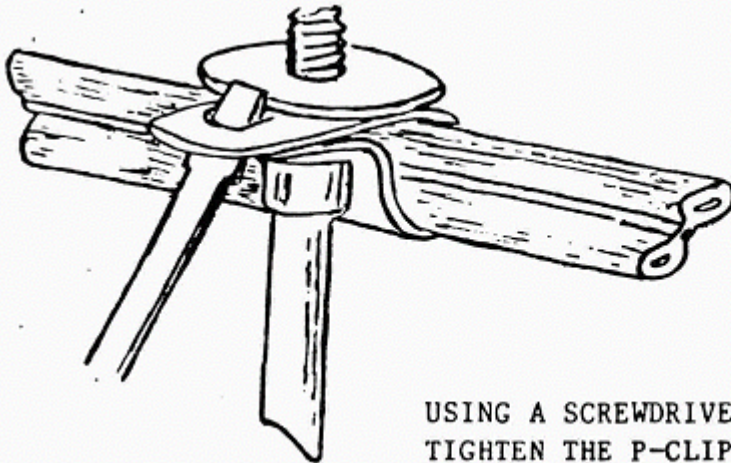
CABLE WITH 90 DEGREE TWIST NEAR PLUG



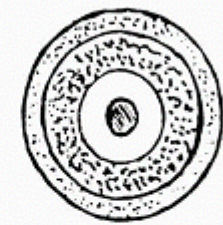
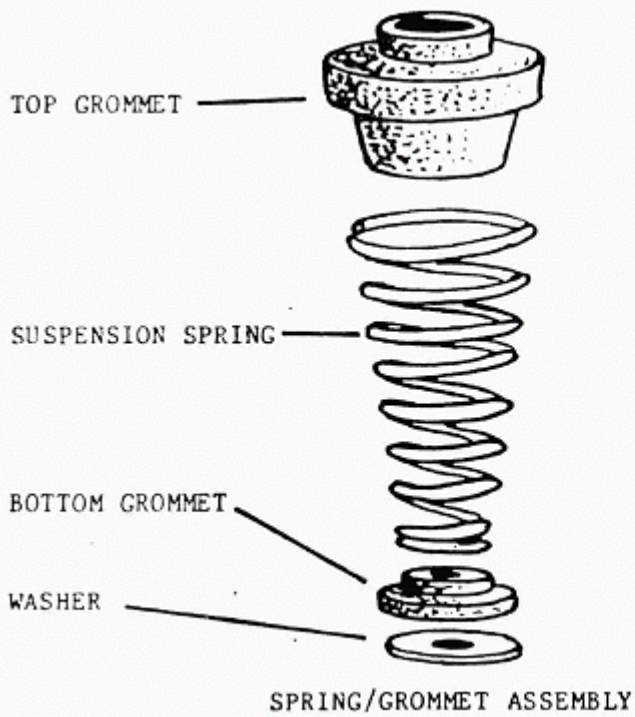
PRE-FORMING THE P-CLIP WITH PLIERS



ORIENTATION OF CABLE IN P-CLIP



USING A SCREWDRIVER AND NUTDRIVER TO TIGHTEN THE P-CLIP AROUND ARM CABLE

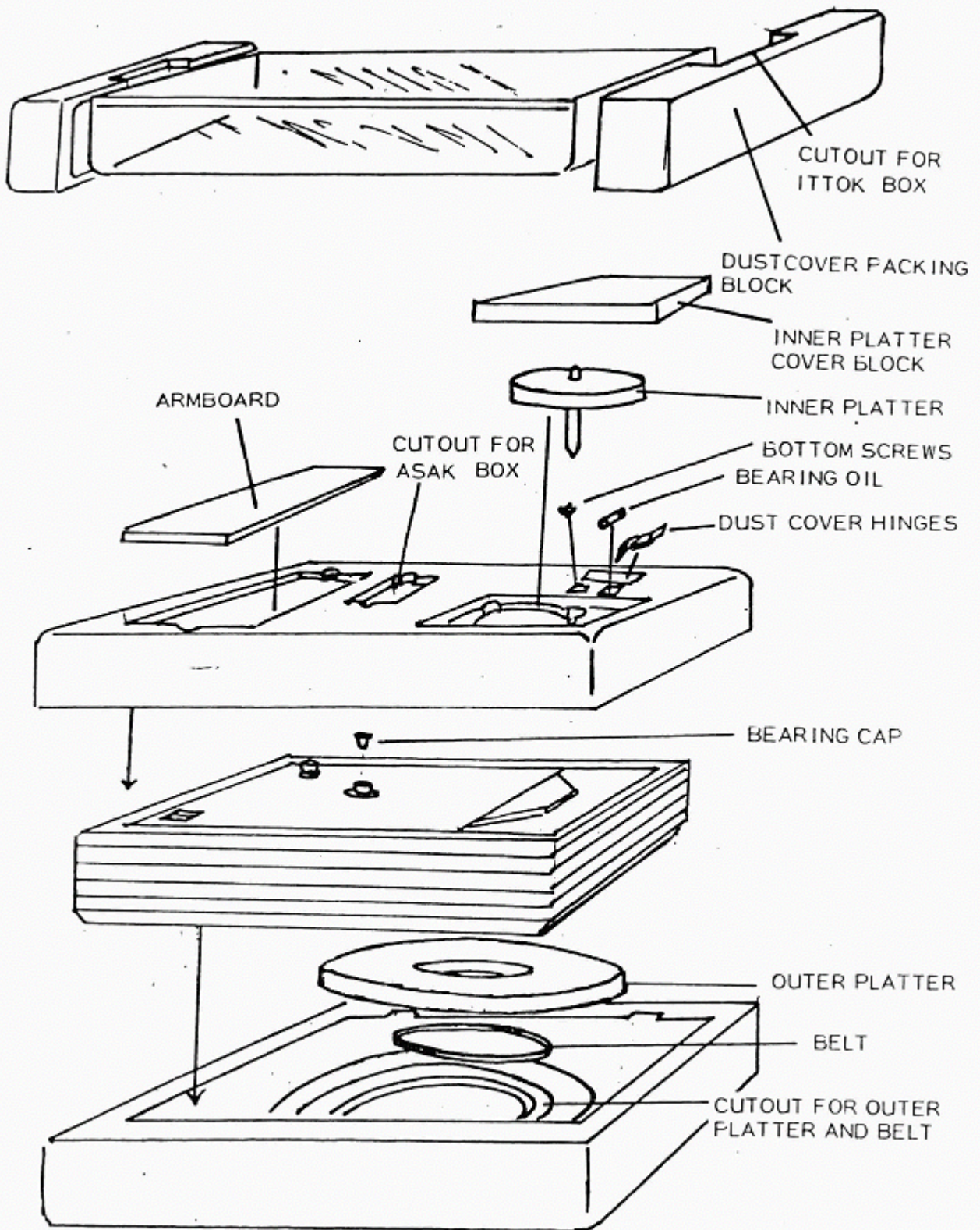


CORRECT
(BOLT IN CENTER)



INCORRECT
(BOLT OFF CENTER)

ORIENTATION OF SUSPENSION
BOLT IN TOP GROMMET



PACKING DIAGRAM

Notes: know notes ;^}